

# Juniata

## RSFD-10

This guide displays the various mechanical components and motors.

Electrical Color Guide show proper connections to the specific outlet.

*Failure to plug components to the proper outlet will result in product failure.*



Components Guide

# Juniata

**RSFD-10**

**Right Side**

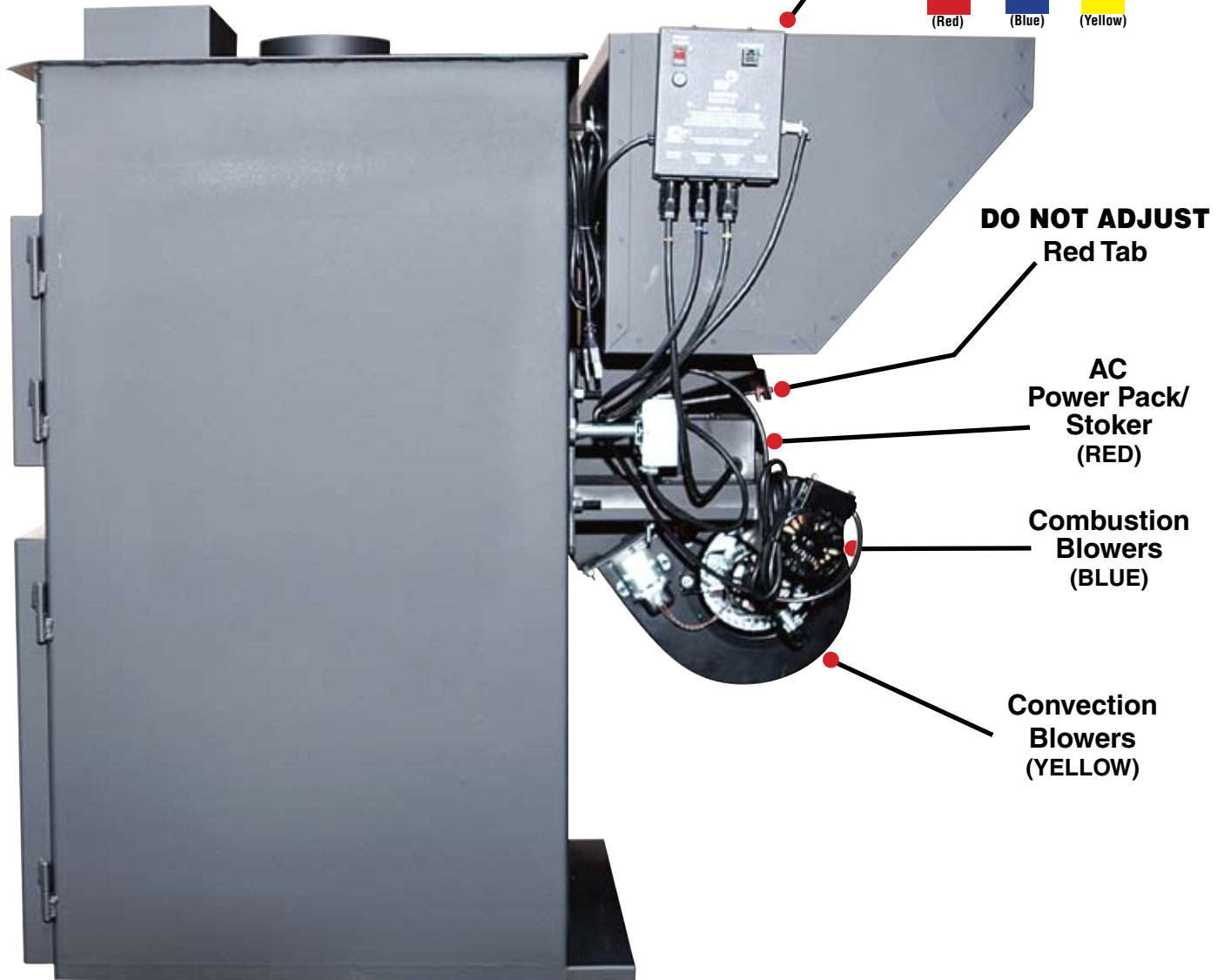


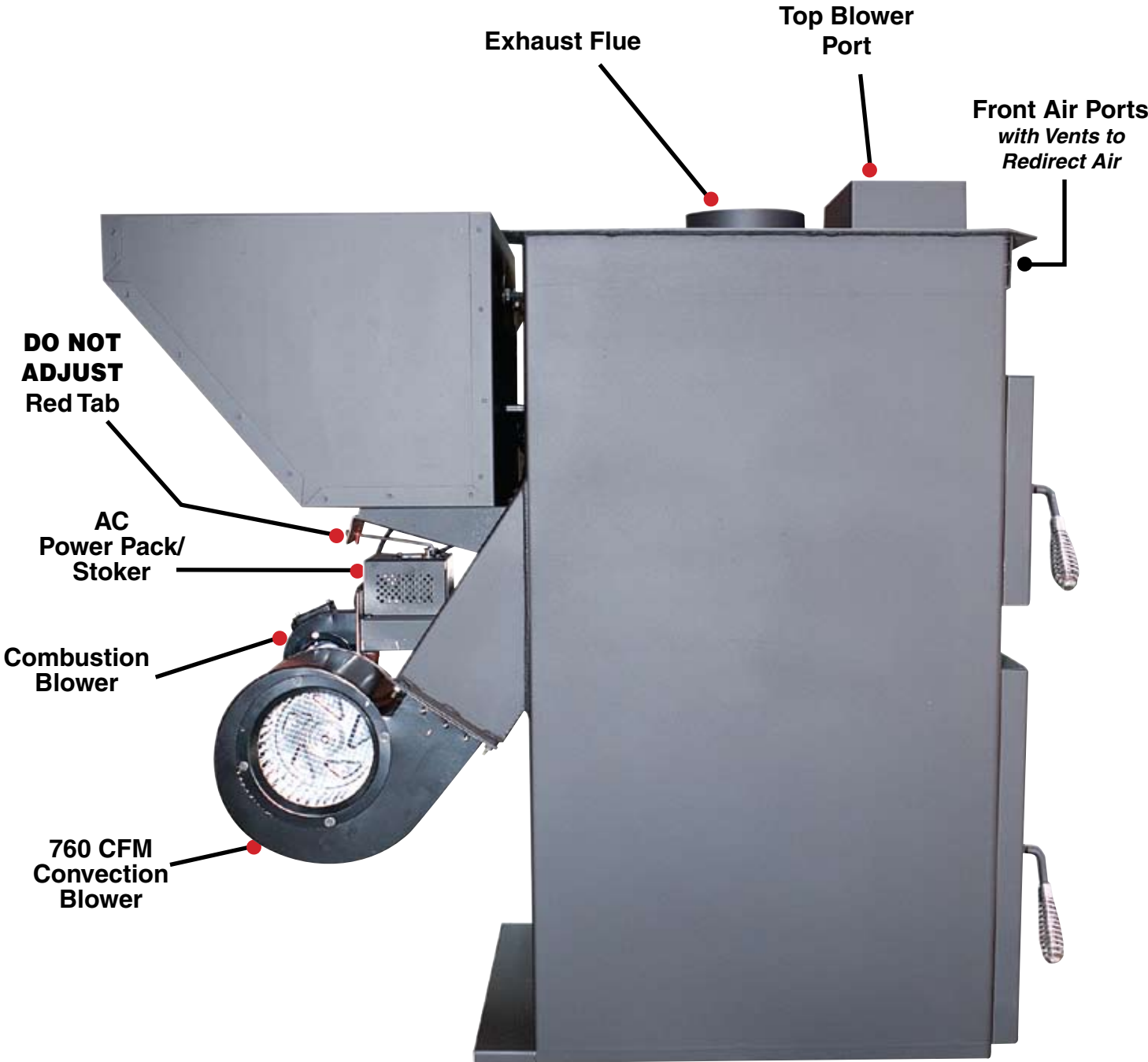
Coal-Trol Remote

Control Panel



Follow the Color Coded Bands on the Power Cord and Fan Set into the proper outlets on the Control Module.





# Juniata

**RSFD-10**

**Rear**

**NOTE:** The Color Coded Bands are attached to the Power Cords

